

Nat'l Highway Traffic Safety Admin., DOT

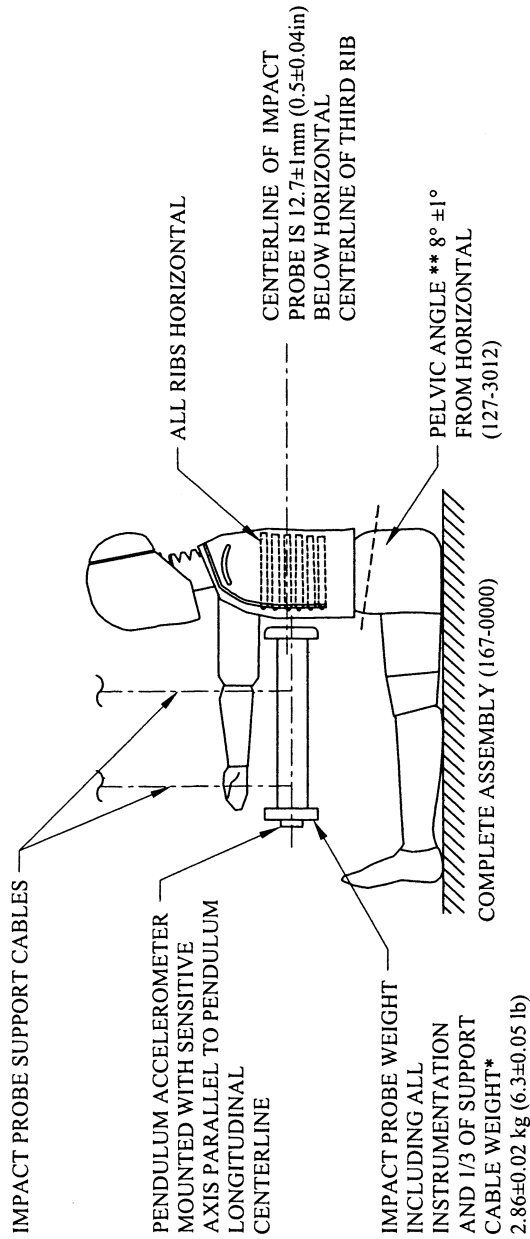
§ 572.167

§ 572.167 Test conditions and instrumentation.

FIGURES TO SUBPART S

The test conditions and instrumentation are as specified in 49 CFR 572.127 (Subpart N).

FIGURE S1
THORAX IMPACT TEST SET-UP SPECIFICATIONS



* 1/3 CABLE WEIGHT NOT TO EXCEED 5% OF THE TOTAL IMPACT PROBE WEIGHT
 ** PELVIS LUMBAR JOINING SURFACE

FIGURE S2
TORSO FLEXION TEST SET-UP SPECIFICATIONS

